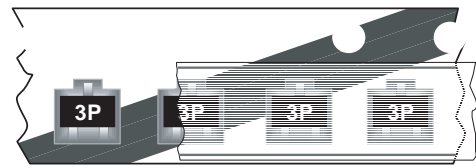
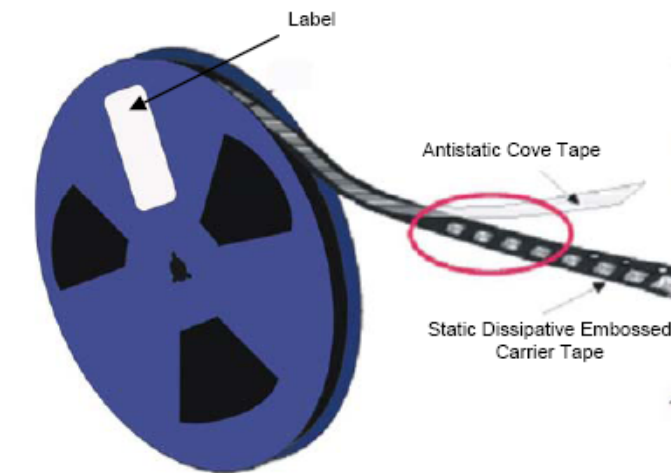


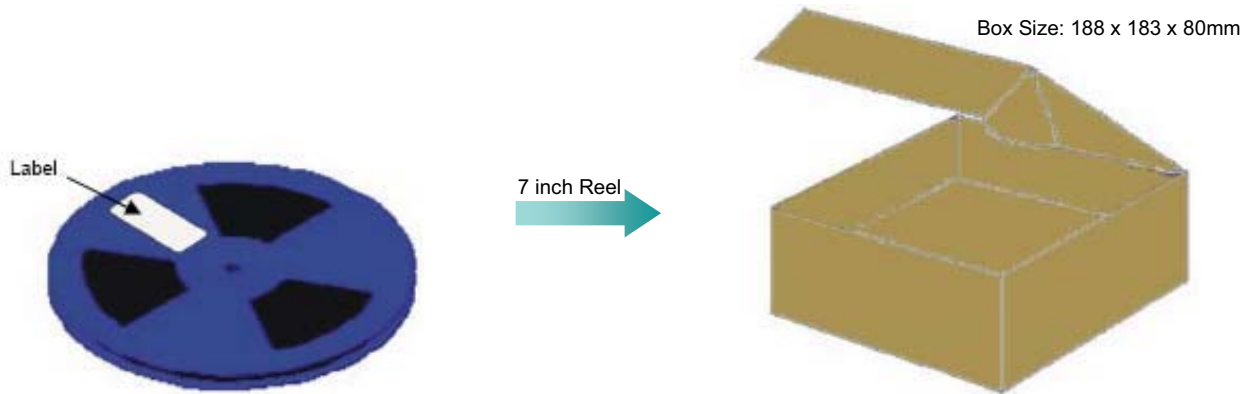
### Packaging Description:

SOT-23 parts are shipped in tape and reel. The carrier tape is made from a dissipative (carbon filled) polycarbonate resin. The cover tape is a multiplayer film (Heat Activated Adhesive in nature) primarily composed of polyester film, adhesive layer, sealant and anti-static sprayed agent. The reels are blue in color and made of recyclable plastic.

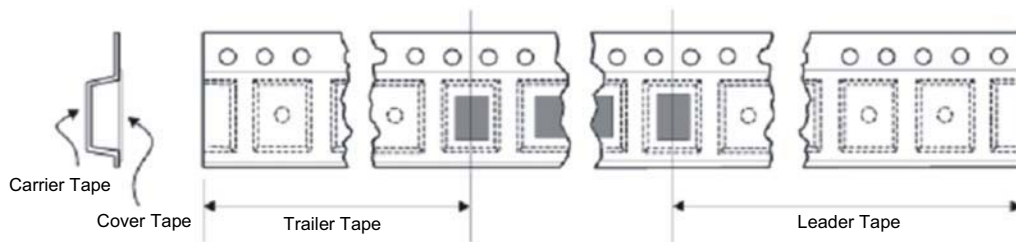
### SOT-23 Packaging Outline



SOT-23 Unit Orientation

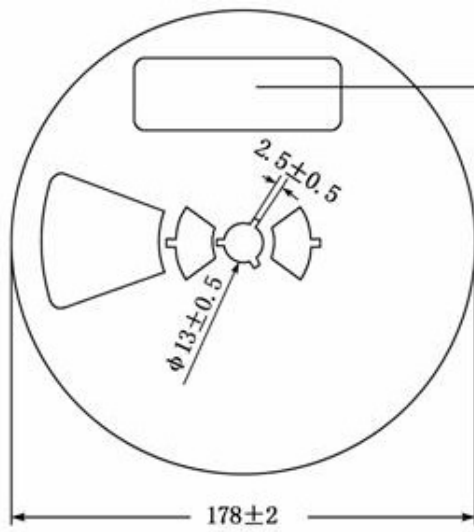
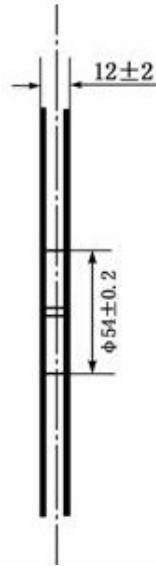
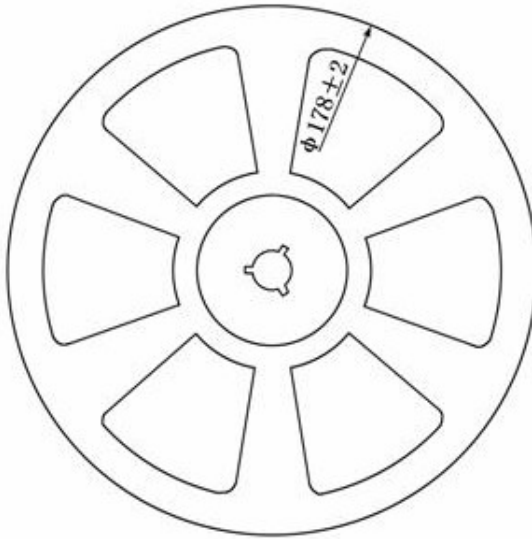


### Taping Leader and Trailer



### Packaging Reel Outline

Unit: mm



標籤 (用條碼表示)

### Packaging Quantity:

Quantity per Reel	Quantity per Box	Minimum Packaging Quantity (MPQ)
3,000pcs	18,000pcs	3,000pcs