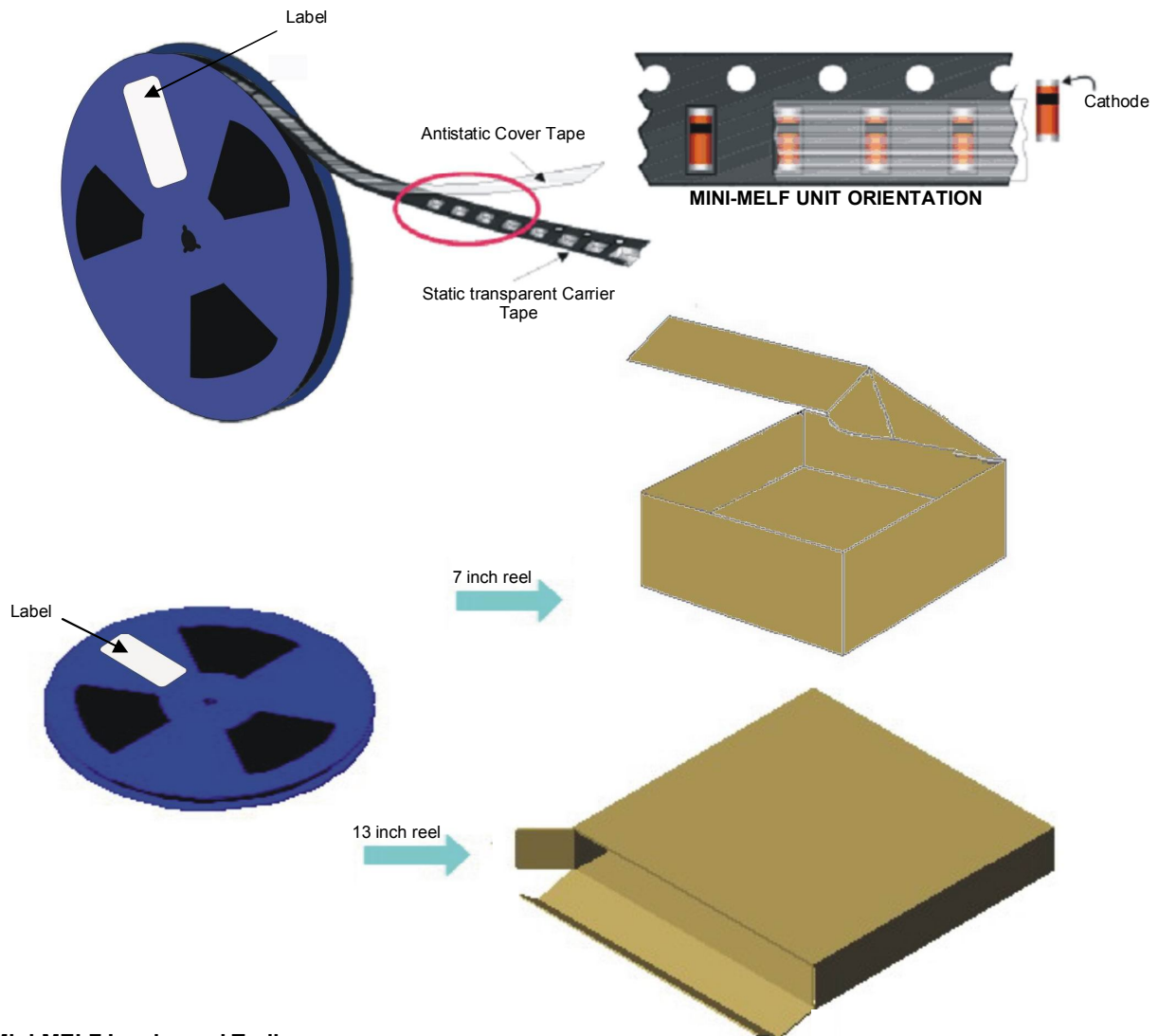


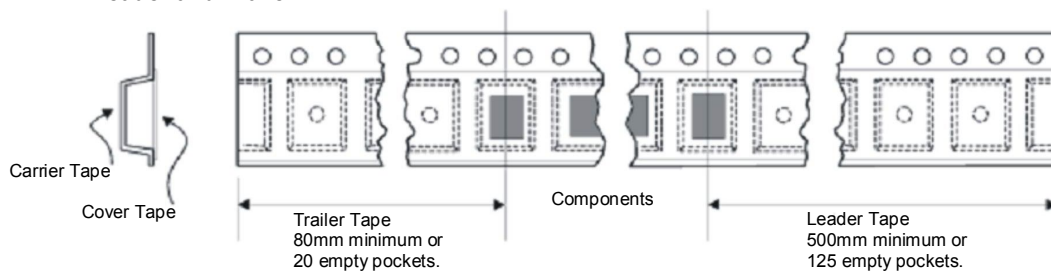
**(Mini-MELF) Tape Packaging Standards**

This standard practices for surface-mount tape packaging of leadless (Mini-MELF) components meets the requirements of EIA Standard RS-481-A.

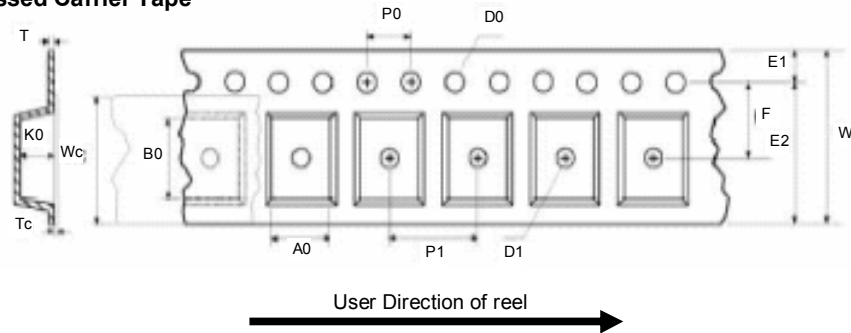
**Mini-MELF Packaging Outline**



**Mini-MELF Leader and Trailer**



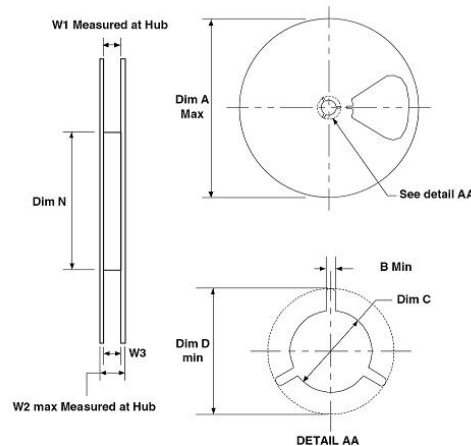
Mini-MELF Embossed Carrier Tape



Dimensions are in millimeters

PKG Type	Tape Size	A0	B0	W	D0	D1	E1	E2	F	P1	P0	K0	T	Wc	Tc
LL-34	8mm	1.83 ±0.10	3.73 ±0.10	8.0 ±0.30	1.5 ±0.10	1.0 ±0.25	1.75 ±0.10	6.25 min	3.50 ±0.05	4.0 ±0.10	4.00 ±0.10	1.80 ±0.10	0.23 ±0.05	5.50 ±0.20	0.10 max
LL-41	12mm	3.00 ±0.10	5.30 ±0.10	12.00 ±0.10	1.50 +0.1 -0	1.00 ±0.10	1.75 ±0.10	10.25 min	5.50 ±0.10	4.00 ±0.10	4.00 ±0.01	3.00 ±0.10	0.27 ±0.05	9.50 ±0.20	0.10 max

Mini-MELF Reel Outline



Dimensions are in millimeters

Tape Size	Reel Diameter	Dim A	Dim B	Dim C	Dim D	Dim N	W1	W2	W3
8mm (LL-34)	7 inch	178	1.5 min	13	20.2 min	55	8.4	14.4	7.9 – 10.9
	13 inch	330	1.5 min	13	20.2 min	100	8.4	14.4	7.9 – 10.9
12mm (LL-41)	7 inch	178	1.5 min	13	20.2 min	60	12.4	18.4	11.9–15.4
	13 inch	330	1.5 min	13	20.2 min	100	12.4	18.4	11.9–15.4

Packaging Description:

LL34 parts are shipped in tape and reel. The carrier tape is made from a dissipative (carbon filled) polycarbonate resin. The cover tape is a multiplayer film (Heat Activated Adhesive in nature) primarily composed of polyester film, adhesive layer, sealant, and anti-static sprayed agent. The reels are blue in color and made of recyclable plastic. These reeled parts will be shipped as below description for each reel options:

Package Type	7 inch diameter reel	13 inch diameter reel	Device Suffix
LL-34	2,500	10,000	No suffix
LL-41	1,500	5,000	No suffix